

## T-3009 + T-3016: 16 Channel CWDM Multiplexer

### Introduction

The T-3009 and T-3016 CWDM Multiplexers multiplex and demultiplex 16 optical CWDM wavelength channels using high quality filters. The T-3009 offers a modular approach to start with 8 CWDM channels and expand with a further 8 CWDM channels using the T-3016, resulting in 16 independent wavelength channels.

The modules fully support ITU G.694.2 and G.695 and are the ideal way to add more capacity to an existing fiber network. Furthermore, the modules are prepared for a DWDM upgrade path to add an additional 16 DWDM channels.

The modules are based on a standard LGX building practice and offer a very easy installation and connection process. Two modules can be mounted into a 19" or 23" bracket. Industry practise wavelength colour coding allows easy set-up and installation resulting in a true Plug and Play experience.

### The T-series:

- T-3009: 8+1 channel Mux/Demux (1471, 1491, 1511, 1531, 1551, 1571, 1591, 1611 nm + 1310 nm)
- T-3016: 8 channel Mux/Demux (1291, 1311, 1331, 1351, 1371, 1391, 1411 and 1431 nm)

### Applications

All optical communication systems, such as: - Gigabit Ethernet, SDH/SONET, ATM, ESCON, Fibre Channel, FTTx and CATV.

### Features & Benefits

- Multiplexing of up to 16 CWDM wavelengths
- Low insertion loss
- Compliant to ITU G.694.2 and G.695
- Optional 1310 nm port for legacy traffic or CWDM upgrade
- LC/UPC connectors
- 1U Low profile modular design
- Passive, no electric power is required
- Extremely reliable (MTBF ca. 500 years)



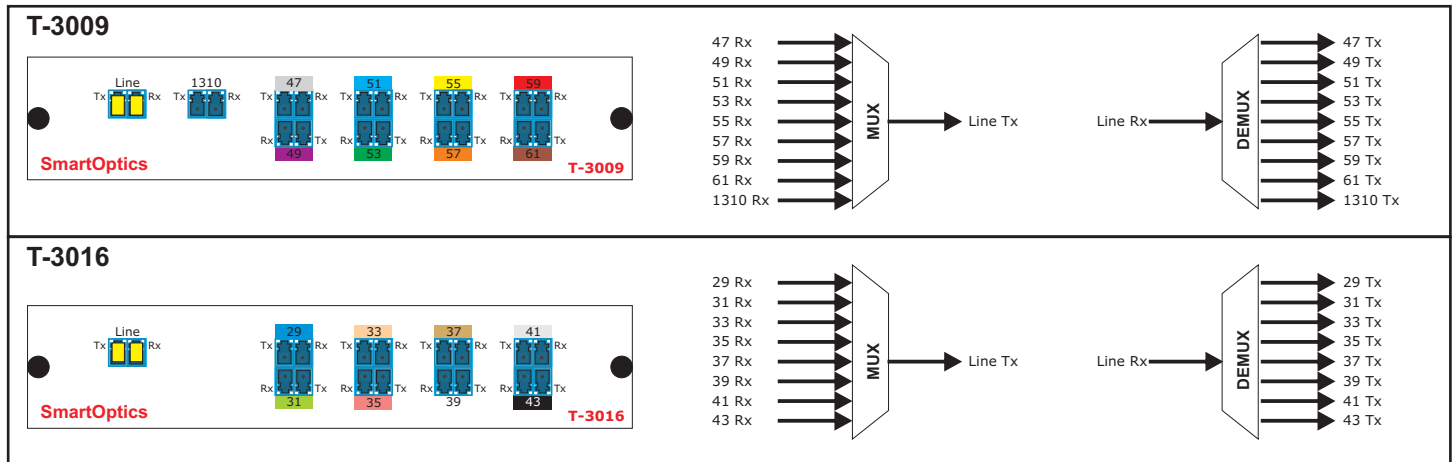
### Mechanical Specification

Material: Aluminium  
 Weight: 1.0 kg  
 Dimensions: W212 x H43 x D192 mm  
 19" and ETSI mountable

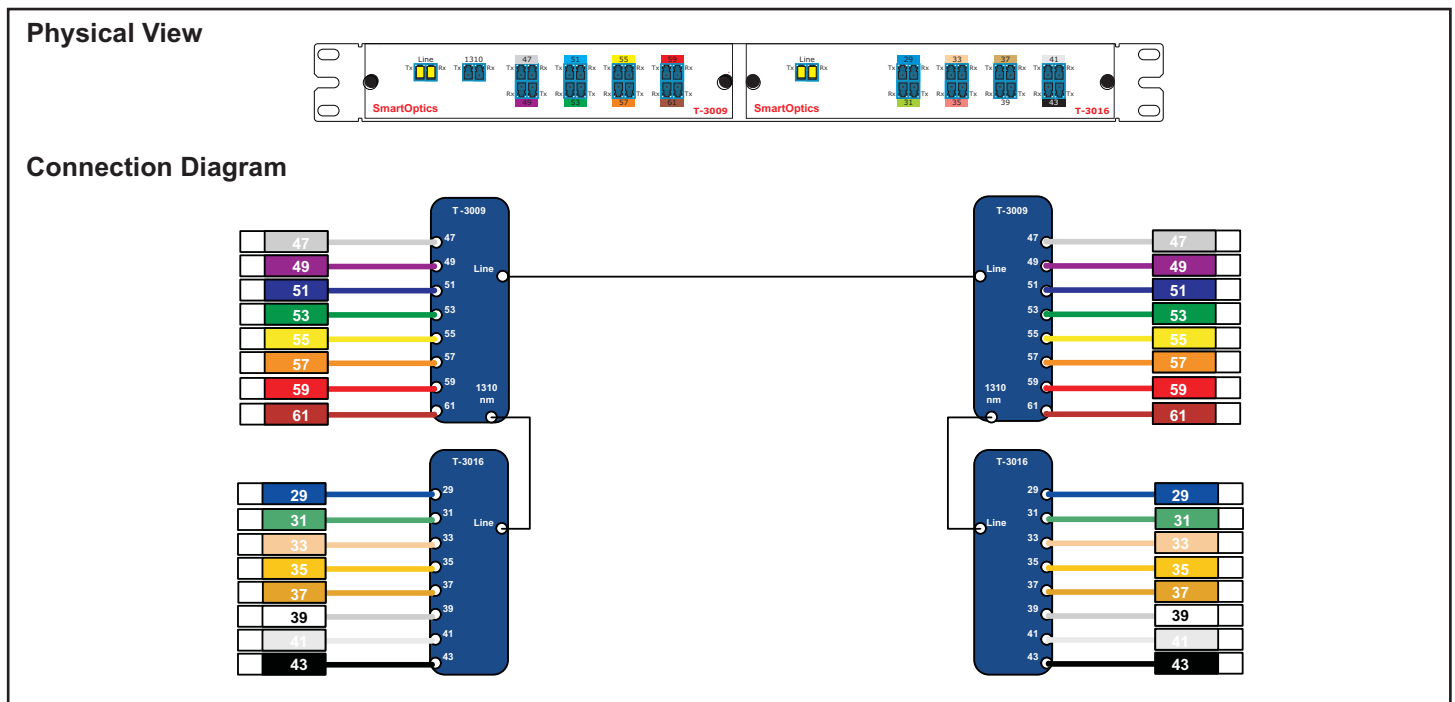
### Specifications Optical

Operating Wavelengths:	1471, 1491, 1511, 1531, 1551, 1571, 1591, 1611 1291, 1311, 1331, 1351, 1371, 1391, 1411 and 1431 nm
Connector Interface:	LC/UPC
Operating Temperature:	0° C to +70° C
Insertion Loss:	4.0 dB T-3009 (link-loss for Mux/Demux pair) 2.5 dB T-3016 (link-loss for Mux/Demux pair) 4.0 dB T-3009 and T-3016 (link-loss for Mux/Demux pair)
Insertion loss upgrade:	1.8 dB at 1551 nm port 1.5 dB at 1310 nm port
Channel isolation:	>30 dB

Front panel layout and wiring diagram:



T-3009 + T-3016 combination



Ordering Information:

- T-3009 8+1 channel Mux/Demux, LC connector interfaces  
1471, 1491, 1511, 1531, 1551, 1571, 1591, 1611 nm + 1310 nm
- T-3016 8 channel Mux/Demux, LC connector interfaces  
1291, 1311, 1331, 1351, 1371, 1391, 1411, 1431 nm
- T-3001-19 19" mounting bracket for 2 modules of T-series or C-series
- T-3001-23 23" mounting bracket for 2 modules of T-series or C-series